

PRODUCT INFORMATION PACKET

Model No: 213TTFW16048
Catalog No: U627A
7 1/2, 1800, TEFC, 213T, 3/60/200
Totally Enclosed Fan Cooled (TEFC)



Regal and Marathon are trademarks of Regal Beloit Corporation or one of its affiliated companies.
©2019 Regal Beloit Corporation, All Rights Reserved. MC017097E



Nameplate Specifications

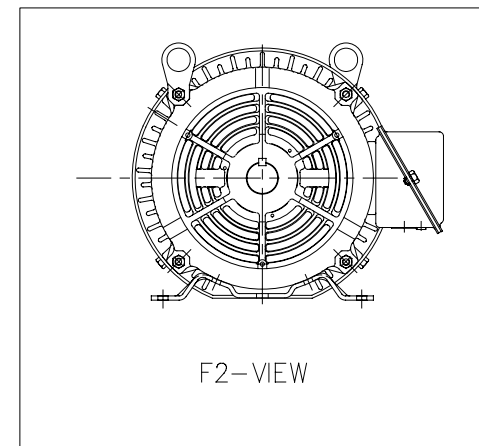
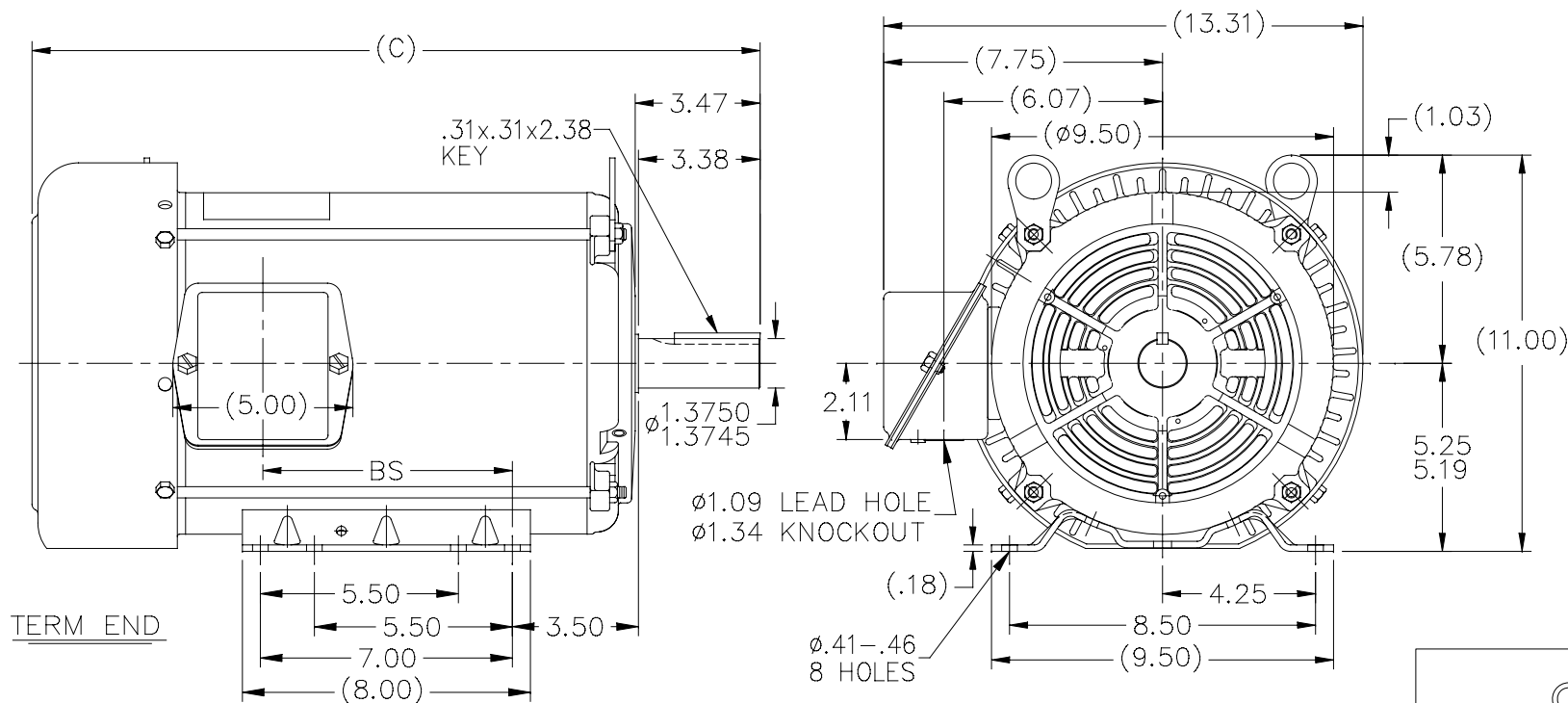
Output HP	7.50 Hp	Output KW	5.6 kW
Frequency	60 Hz	Voltage	200 V
Current	22.1 A	Speed	1765 rpm
Service Factor	1.15	Phase	3
Efficiency	91.7 %	Duty	Continuous
Insulation Class	F	Design Code	B
KVA Code	H	Frame	213T
Enclosure	Totally Enclosed Fan Cooled	Overload Protector	No
Ambient Temperature	40 °C	Drive End Bearing Size	6307
Opp Drive End Bearing Size	6206	UL	Recognized
CSA	Y	CE	Y
IP Code	43		

Technical Specifications

Electrical Type	Squirrel Cage Induction Run	Starting Method	Across The Line
Poles	4	Rotation	Reversible
Mounting	Rigid Base	Motor Orientation	Horizontal
Drive End Bearing	Ball	Opp Drive End Bearing	Ball
Frame Material	Rolled Steel	Shaft Type	T
Overall Length	20.23 in	Frame Length	11.15 in
Shaft Diameter	1.375 in	Shaft Extension	3.47 in
Assembly/Box Mounting	F1/F2 CAPABLE		
Outline Drawing	SS88975-1115	Connection Diagram	005010.01

This is an uncontrolled document once printed or downloaded and is subject to change without notice. Date Created: 02/12/2019

SS88975



- NOTES:
1. NAMEPLATE TO BE READ FROM C'BOX SIDE OF MOTOR.
 2. BOX CAN BE MOUNTED IN 90° STEPS.
 3. BOX CAN BE MOUNTED ON OPPOSITE SIDE BY REMOVING BRACKETS AND TURNING FRAME 180°. (EXCEPT AS NOTED.)

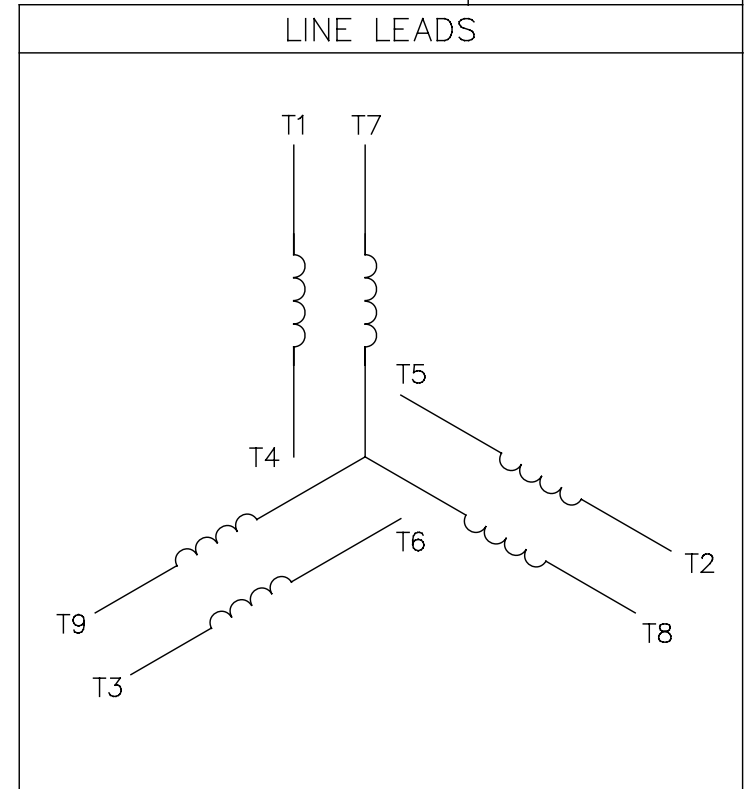
DASH	FR.	C	BS	MOUNTING
965	213T	18.73	5.43	
1115	213/15T	20.23	6.93	
1240	213/15T	21.48	8.18	F1 ONLY OR F2 ONLY

NO.	REVISION	BY & DATE	CHK	ANG	TOLERANCES UNLESS SPECIFIED		FINISH	DRAWN ERH 12-08-2003
					DEC.	INCHES		
					.X	±.1		CHK ML 12-08-2003
3	NOTE UPDATED	SAJ 08/24/15	SR	.XX	±.03		TITLE OUTLINE	APPD DR 12-09-2003
2	TITLE BLOCK LOGO CHANGE PER ECO-0078542	MDV 06/09/2015		.XXX	±.005		210T FR.-BB-TS-TEFC-R/S	SCALE 1=4
1	REMOVE HOLE AND BOLT SIDE VIEW CN24453	RWR 01/30/2004	ML	.XXXX	±.0005		MAT'L.	REF
					±7'30"			FMF MU 49283
			RFP	12-09-2003			CAD FILE ss88975	PREV
			DIST	LB				SIZE A
								DRAWING NO. SS88975
								PAGE OF 3
								REV. 3

THIS DRAWING IN DESIGN AND DETAIL IS OUR PROPERTY AND MUST NOT BE USED EXCEPT IN CONNECTION WITH OUR WORK ALL RIGHTS OF DESIGN AND INVENTION ARE RESERVED THIS IS AN ELECTRONICALLY GENERATED DOCUMENT - DO NOT SCALE THIS PRINT

005010-01

VIEW FROM OUTSIDE OF MOTOR AT SWITCH END.



VOLTAGE	L1	L2	L3	JOIN & INSULATE
HIGH	T1	T2	T3	(T4,T7) (T5,T8) (T6,T9)
LOW	T1,T7	T2,T8	T3,T9	T4,T5,T6

				TOLERANCES UNLESS SPECIFIED		REGAL ™ Regal Beloit America, Inc.		DRAWN RDW 04/12/02	
				DEC.	INCHES			CHK	
				.X	±.1			APPD	
				.XX	±.01			SCALE 1=1	
				.XXX	±.005	TITLE		EXTERNAL WIRING DIAGRAM 3 PHASE W/O PROTECTOR	
A	UPDATED TO REGAL LOGO			SAJ	06/26/15	AJY	.XXXX	±.0005	MAT'L. DECAL - 004014
NO.	REVISION			BY & DATE	CHK	ANG	±1/2"	FINISH	PREV
THIS DRAWING IN DESIGN AND DETAIL IS OUR PROPERTY AND MUST NOT BE USED EXCEPT IN CONNECTION WITH OUR WORK ALL RIGHTS OF DESIGN AND INVENTION ARE RESERVED THIS IS AN ELECTRONICALLY GENERATED DOCUMENT - DO NOT SCALE THIS PRINT				RFP	04/12/02		CAD FILE	00501001	
				DIST	BRF-NLV		SIZE	DRAWING NO.	
							A	005010-01	
								A	

Data Sheet

Date: 29-06-2017
 Customer: _____
 Attention: _____
 Submitted by: FAREEDA DUDEKULA



213TTFW16048

Submittal
 Data @ 200 V

Motor Load Data

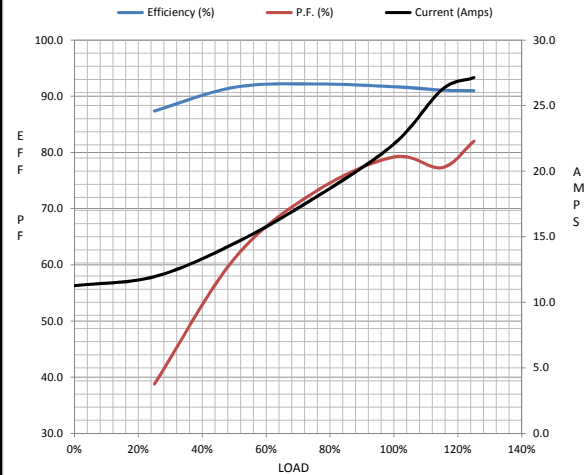
Load	0%	25%	50%	75%	100%	115%	125%	LR
Current (Amps)	11.3	12.0	14.5	17.9	22.1	26.2	27.1	155
Torque (ft-lb)	0.00	5.5	11.0	16.6	22.3	25.5	28.0	52.9
RPM	1800	1792	1784	1775	1765	1,765	1756	0
Efficiency (%)		87.4	91.6	92.2	91.7	91.1	91.0	
P.F. (%)	4.7	38.8	61.1	72.9	79.2	77.3	82.0	42.6

Motor Speed Data

	LR	Pull-Up	BD	Rated	Idle
Speed (RPM)	0	900	1600	1765	1800
Current (Amps)	155	131	94.3	22.1	11.3
Torque (ft-lb)	52.9	49.0	75.0	22.3	0.00

Information Block

HP	7.5			
Sync. RPM	1800			
Frame	213			
Enclosure	TEFC			
Construction	TFN			
Voltage	200 V			
Frequency	60 Hz			
Design	A			
LR Code letter	H			
Service Factor	1.15			
Temp Rise @ FL	50 ° C			
Duty	CONT			
Ambient	40 ° C			
Elevation	1,000 feet			
Rotor/Shaft wk ²	0.85 Lb-Ft ²			
Ref Wdg	K2134279 NONE			
Sound Pressure @ 1M	62 dBA			
VFD Rating	NONE			
Outline Dwg	A-SS8975-1115			
Conn. Diag	005010.01			
Additional Specifications:				
0				
365THFS8036				
EQUIV CKT (OHMS / PHASE)				
R1	R2	X1	X2	Xm
0.1440	0.2090	0.4650	0.6000	9.5300



Speed -Torque Curve

